



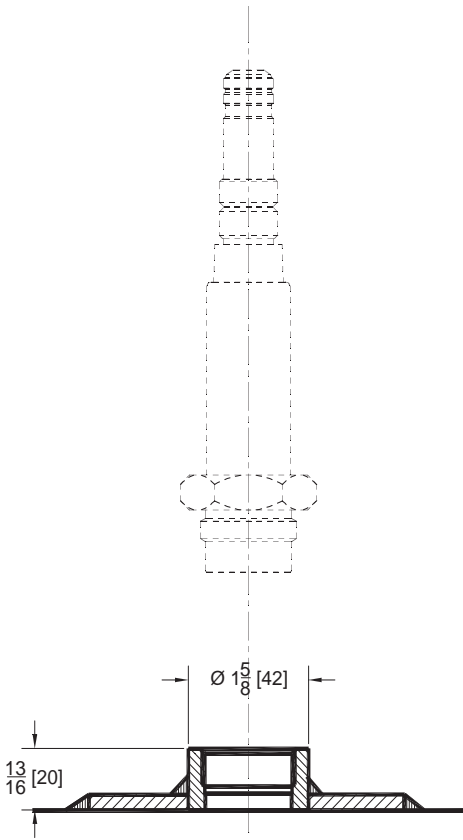
EPACO CEREx MOUNTINGS

APPLICATIONS

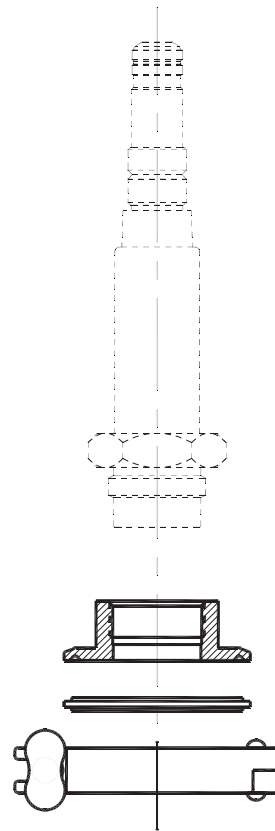
The CEREx™ Pressure Detector is available in several different mounting configurations. These include flush, rigid, flex, and high-temperature flex mountings.

Pressure Detector accessories are also available to reduce product build-up or impingement and to aid with installation.

NOTE: Transducer, P/N 29945022-S, sold separately.



Flush Mount Flange P/N 23604031-S



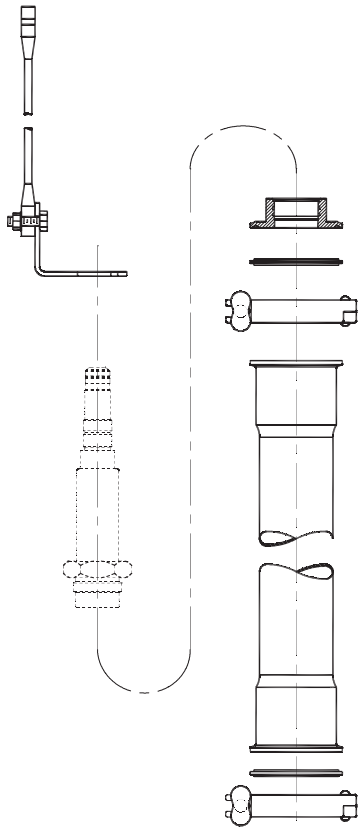
Rigid Mount Adapter P/N E61-063

Flush Mounting Specifications:

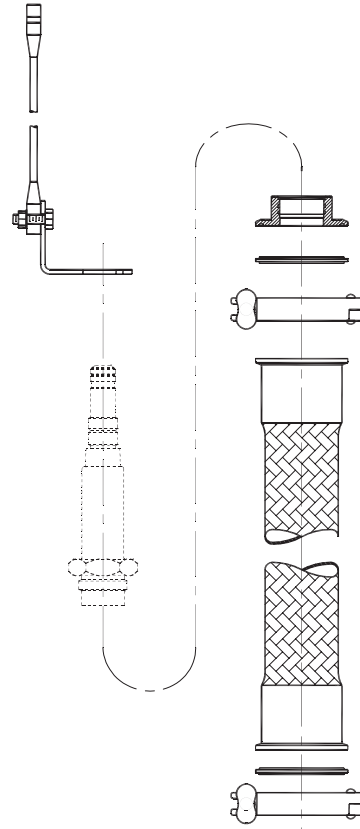
Process Temperature Range: -20° to 102°C (0° to +215°F)

Rigid Mounting Specifications:

Process Temperature Range: -20° to 102°C (0° to +215°F)



Flex Mount Adapter P/N E61-061



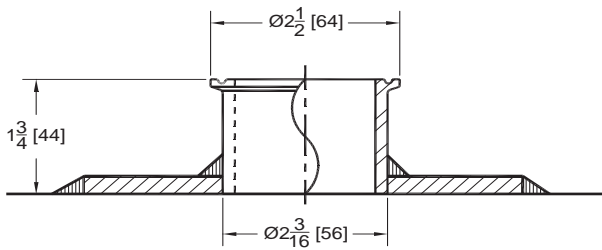
Hi-Tem Flex Mount Adapter P/N E61-062

Flex Mounting Specifications:

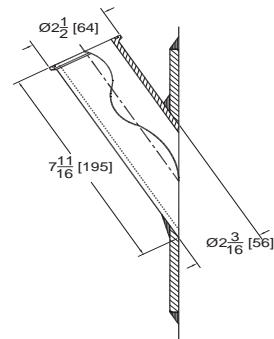
Process Temperature Range: -20° to 80°C (0° to +175°F)

Hi-Temp Flex Mounting Specifications:

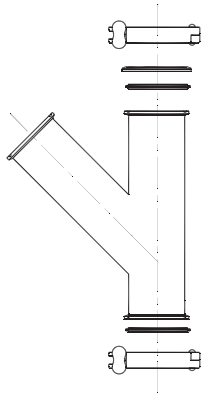
Process Temperature Range: -20° to 230°C (0° to +450°F)



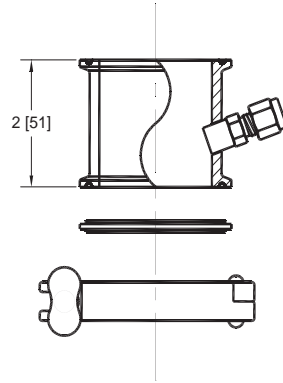
Horizontal Mount Ferrule P/N 02-8598



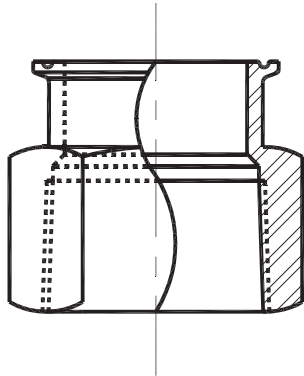
Vertical Mount Ferrule P/N 02-9073



Lateral "Y" Clean Out Assembly P/N E61-049



Purge Spool P/N E61-048



2" Tri-clover to 2" NPT Adapter P/N 02-9081