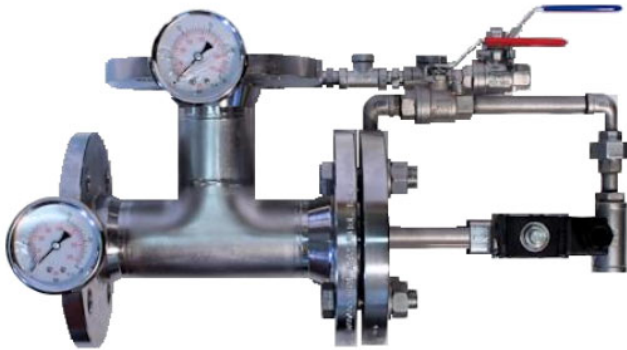


## DuraQuench™ C-EL-PA PRE-ACTION CONTROL VALVE



### Description

The C-EL-PA Pre-Action control valve is a robust and reliable deluge, angle positioned, pilot control valve created entirely in stainless steel (316L), capable of functioning under harsh conditions and designed to be connected to systems where no corrosion is allowed. The valve is designed for operating in closed dry systems as a zone valve.

The valve features a smaller external trim than conventional control valves, making the valve easy to install and diminishing the amount of space required for installation. The pre-action trim allows the system to monitor dry-pipe pressure drops creating an additional means of false alarm prevention.

The valve trim provides two methods of system activation which includes a manual release lever and electrical release through a 24 VDC impulse solenoid valve. The impulse solenoid valve is designed to hold the valve in the open position once active. The valve will remain in the open position until a reverse polarity voltage is applied to the impulse solenoid allowing the C-EL valve to close.

The valve can be ordered with either ANSI flange or threaded inlet and outlet connections and can be easily disassembled for maintenance and refurbishment, without removing the valve housing from the connected system.

### Valve Sizes and Variations

Part Number	Thread Sizes		KV-Value (pressure loss)
	Inlet	Outlet	
73-0155-1	2" NPT	2" NPT	119 g/min at 14.5 psi (450 l/min at 1 bar)
73-0155-2	3" NPT	3" NPT	476 g/min at 14.5 psi (1800 l/min at 1 bar)
Part Number	Flange Sizes		KV-Value
	Inlet	Outlet	
73-0155-3	DN 50	DN 50	119 g/min at 14.5 psi (450 l/min at 1 bar)
73-0155-4	DN 80	DN 80	476 g/min at 14.5 psi (1800 l/min at 1 bar)

### Specifications

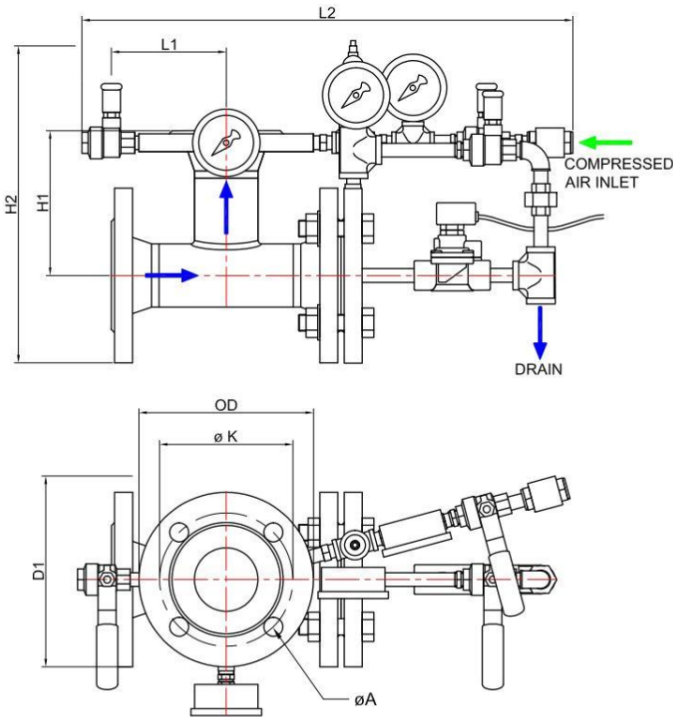
Weight	73-0155-1 / 46 lbs. (20.8 kg) 73-0155-2 / 74 lbs. (33.6 kg) 73-0155-3 / 32 lbs. (14.5 kg) 73-0155-4 / 49.6 lbs. (22.5 kg)
Working Pressure	232 psi (16 bar) maximum 29 psi (2 bar) minimum
Factory Tested Pressure	348 psi (24 bar) maximum
Pre-action trim pressure (constant)	58 psi – 87 psi (4 bar – 6 bar)
Std. Alarm Pressure Value in pre-action trim	36.3 psi – 43.5 psi (2.5 bar – 3 bar)
Materials	Stainless Steel, ANSI 316L
Gasket Materials	EPDM
Pressure Gauge Locations	Valve Inlet and Primary Valve Outlet
Activation Options	- Manual Release Lever - Electric Impulse Solenoid (24 VDC, 10W, NC)
Listing / Approvals	Factory Mutual

### Spare Parts

Part Number	Description
02-15258-1	Valve Wrench
02-15258-2	Basic Valve Service Kit (2" and DN 50 C-EL-PA Valves)
02-15258-3	Full Valve Service Kit (2" and DN 50 C-EL-PA Valves)
02-15258-4	Basic Valve Service Kit (3" and DN 80 C-EL-PA Valves)
02-15258-5	Full Valve Service Kit (3" and DN 80 C-EL-PA Valves)
02-15258-6	Valve Core Kit (2" and DN 50 C-EL Valves)
02-15258-7	Valve Core Kit (3" and DN 80 C-EL Valves)

This document is only intended to be a guideline and is not applicable to all situations. Information is subject to Fike's full disclaimer at <http://www.fike.com/disclaimer>.

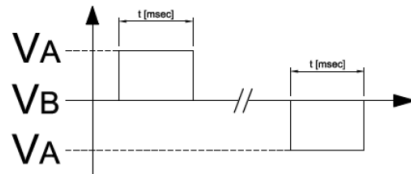
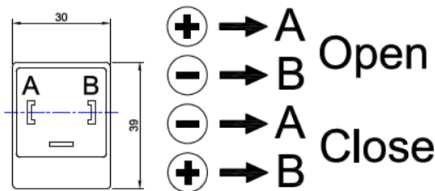
## Dimensions



	02-14873-3 DN 50-50	02-14873-1 BSP 2"-2"	02-14873-4 DN 80-80	02-14873-2 BSP 3"-3"
L1	4.29 in. (109 mm)	5.39 in. (137 mm)	5.20 in. (132 mm)	7.48 in. (190 mm)
L2	18.30 in. (465 mm)	18.30 in. (465 mm)	18.66 in. (474 mm)	20.95 in. (532 mm)
H1	5.39 in. (137 mm)	6.50 in. (165 mm)	6.58 in. (167 mm)	8.86 in. (225 mm)
H2	8.23 in. (209 mm)	11.77 in. (299 mm)	13.74 in. (349 mm)	13.74 in. (349 mm)
D1	8.90 in. (226 mm)	8.90 in. (226 mm)	9.96 in. (253 mm)	9.96 in. (253 mm)
OD	6.50 in. (165 mm)	6.50 in. (165 mm)	7.87 in. (200 mm)	7.87 in. (200 mm)
øK	4.92 in. (125 mm)	4.92 in. (125 mm)	6.30 in. (160 mm)	6.30 in. (160 mm)
øA	4 x ø0.70 in. (18 mm)	4 x ø0.70 in. (18 mm)	8 x ø0.70 in. (18 mm)	8 x ø0.70 in. (18 mm)

## Impulse Solenoid Valve

Impulse feed from 24 VDC for a period lasting from 20 to 100 milliseconds.



**NOTE:** To ensure correct operation, the fluid should be filtered to eliminate all traces of impurity subject to magnetic attraction, which would inevitably deposit on the cores of the solenoid valve, which are always magnetized causing the formation of oxide as well as a contact problem.

This document is only intended to be a guideline and is not applicable to all situations.  
Information is subject to Fike's full disclaimer at <http://www.fike.com/disclaimer>.