

DUAL PRESSURE SWITCH MODULE

Description

The Dual Pressure Switch Module monitors the health of the Firetrace suppression system and detects system activation. The pressure switches provide dry contacts which can initiate machine shutdown, closing of dampers, activation of alarms, and many other uses that require the energizing or de-energizing of a circuit.

There are three options of the Dual Pressure Switch Module available. Each being purchased as a kit which includes the module, a cable harness, and an additional nameplate to accommodate multiple install orientations.

- 603400 for 195psi systems
- 603410 for 150psi systems
- 603420 Dual Activation Switches

Through the use of toggle switches contained within the box, the module can be configured



based upon the combination of the pressure switch and bypass key switch needed for the specific application. Reference the Installation Manual for configuration specifics.

Kit P/N	Module P/N	Pressure Switch 1 (Activation)		Pressure Switch 2 (Service)*	
		Rising Set Point	Falling Set Point	Rising Set Point	Falling Set Point
603400	601400	130 ± 10 psi	70 ± 10 psi	180 ± 10 psi	150 ± 10 psi
603410	601410	130 ± 10 psi	70 ± 10 psi	130 ± 10 psi	99 ± 10 psi
603420	601420	130 ± 10 psi	70 ± 10 psi	130 ± 10 psi	70 ± 10 psi

* activation pressure switch used for 603420

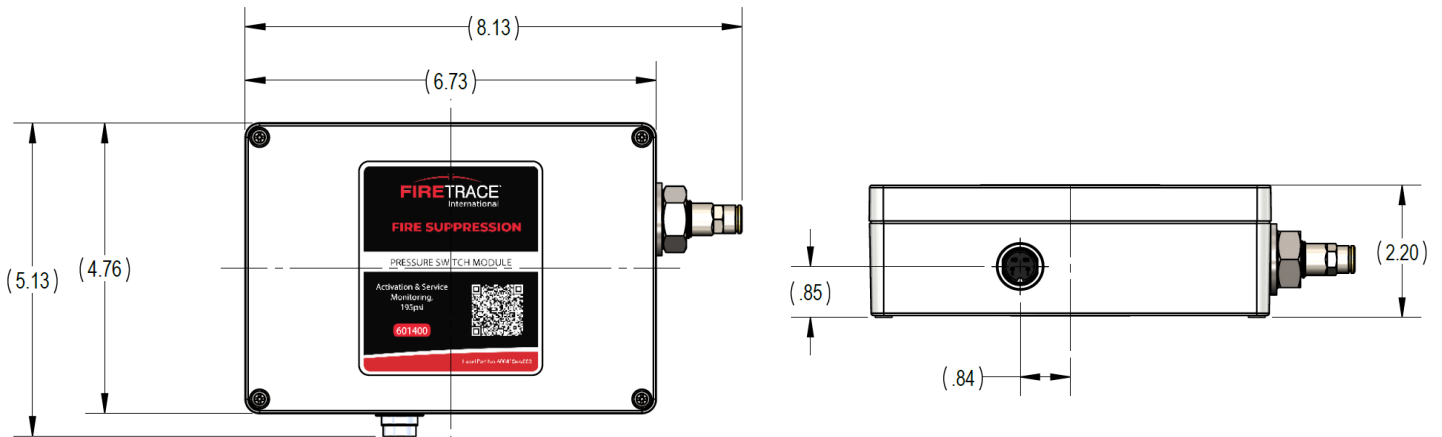
General Specifications

Electrical Rating 24VDC 2A
Environmental Rating IP64

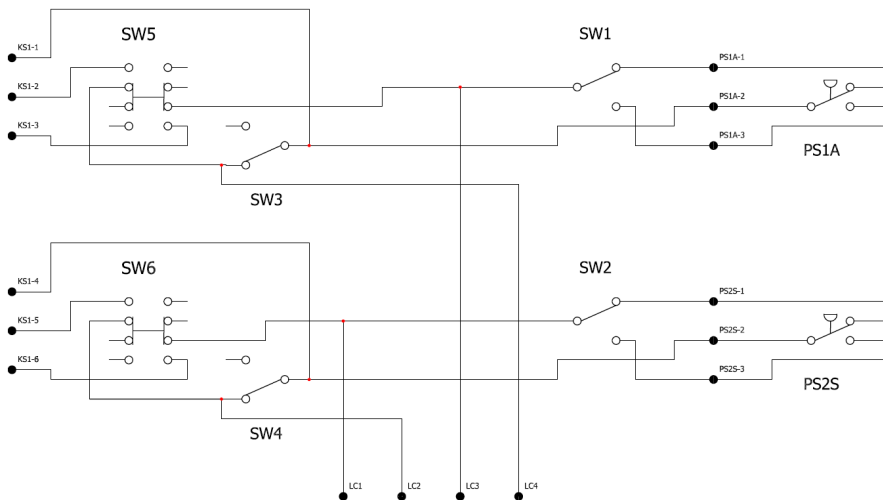
Temperature Rating -40°F to 150°F
(-40°C to 65.6°C)

DUAL PRESSURE SWITCH MODULE

Dimensions



Wiring Diagram



Pin	Wire Color
LC1	White
LC2	Brown
LC3	Green
LC4	Yellow
Shield	Green/Yellow

* Diagram shown at atmospheric pressure

Mounting Options

The Dual Pressure Switch Module can be mounted directly using the M4 threaded inserts on the back of the box. Flanges or magnets are also available to accommodate your install needs.

- 111151 Magnetic Mounting Kit
- 111152 Flange Mounting Kit



Installation
Manual